



THE TOOL COMPANY

# ADJUSTABLE BENCH GRINDER STAND

■ STOCK No.69356

■ PART No.AG101

## INSTRUCTIONS

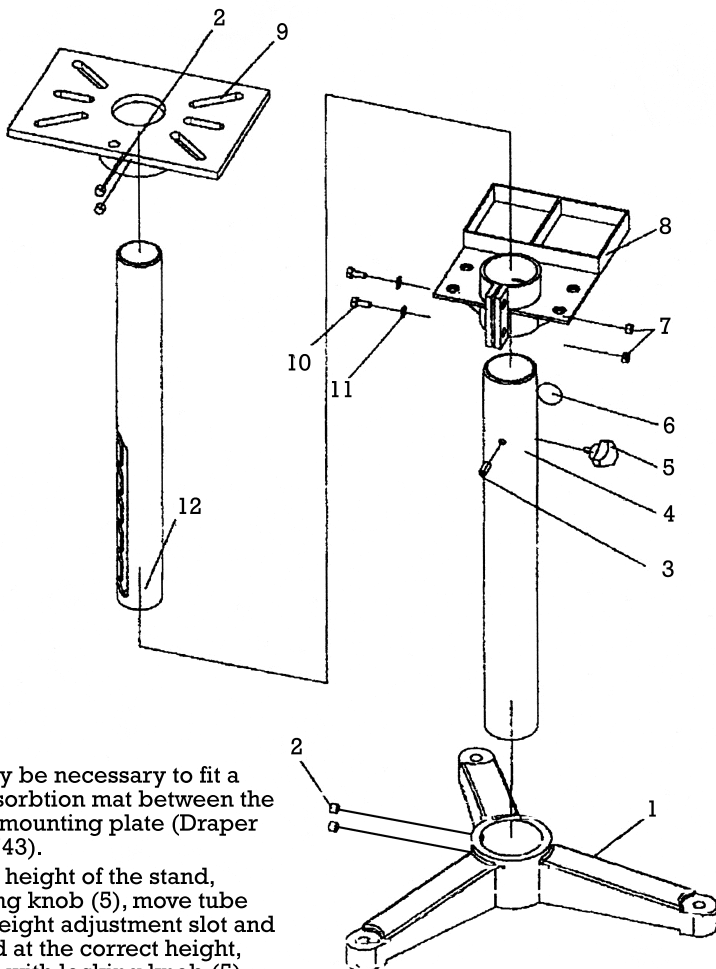
05/2003

Slide tube (4) into base (1) and secure with grub screws (2). Slide tray (8) over the top of tube (4) and lock in place using bolts (10), washers (11) and nuts (7). Slide tube (12) inside tube (4). Locate grub screw (3) into height adjustment slot and screw in until flush. Insert locking knob (5) into the threaded slot in tube (4). Fit the mounting plate (9) onto the top of tube (12) and secure with grub screws (2).

Choose a suitable location with a smooth and level surface.

Securely bolt the stand to the floor with suitable fixings (not supplied).

Secure the grinder to mounting plate (9) with suitable fixings (not supplied).



**NOTE:** It may be necessary to fit a vibration absorption mat between the grinder and mounting plate (Draper Stock No.30743).

To adjust the height of the stand, loosen locking knob (5), move tube (12) on the height adjustment slot and when located at the correct height, lock in place with locking knob (5).