

Thank you for purchasing a Sealey product. Manufactured to a high standard this product will, if used according to these instructions and properly maintained, give you years of trouble free performance.



IMPORTANT: PLEASE READ THESE INSTRUCTIONS CAREFULLY. NOTE THE SAFE OPERATIONAL REQUIREMENTS, WARNINGS AND CAUTIONS. USE THE PRODUCT CORRECTLY AND WITH CARE FOR THE PURPOSE FOR WHICH IT IS INTENDED. FAILURE TO DO SO MAY CAUSE DAMAGE AND/OR PERSONAL INJURY AND WILL INVALIDATE THE WARRANTY. PLEASE KEEP INSTRUCTIONS SAFE FOR FUTURE USE.

1. SAFETY INSTRUCTIONS

- ✓ Always position drum/barrel at the rear of the cradle before attempting to move the trolley.
- ✗ Do not load more than one drum/barrel.
- ✗ Do not overload the trolley - maximum capacity is **450kg**.
- ✗ Do not allow others to ride on the trolley.
- ✓ Only use the trolley on firm, level, unobstructed surfaces which are capable of supporting the trolley and wheel.
- ✗ Do not use on tarmac/adam. The trolley must only be used on a concrete surface.
- ✓ Replace or repair damaged parts. *Use only recommended parts. Unauthorised parts may be dangerous and will invalidate the warranty.*
- ☐ **Warning!** Failure to comply with these instructions may result in loss of load, damage to trolley or other property and/or personal injury.

2. INTRODUCTION

Rigid steel construction suitable for safe movement and storage of steel and plastic barrels. Cradle fitted with two smooth rolling, heavy-duty Ø150mm wheels and one Ø75mm castor wheel. 2-position handle locks upright or at 45° and features tools for 5 different drum caps and a metal drum tilting attachment.

3. OPERATING INSTRUCTIONS

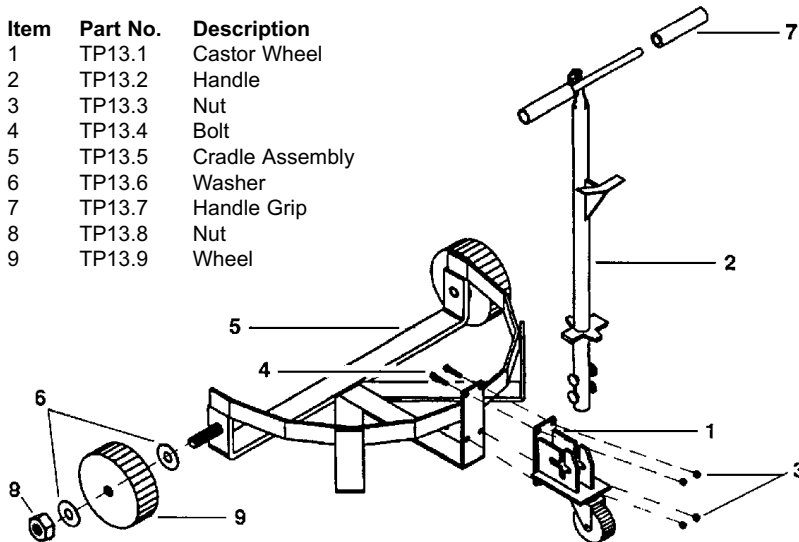
- 3.1. Position the trolley in front of the drum.
- 3.2. Remove the handle from the trolley and use it to tilt the drum.
- 3.3. Push the trolley cradle under the tilted drum.
- 3.4. Refit the handle to the trolley and transport drum.

4. MAINTENANCE

- 4.1. Daily Check for damage.
- 4.2. Monthly Oil wheels.

5. PARTS

Item	Part No.	Description
1	TP13.1	Castor Wheel
2	TP13.2	Handle
3	TP13.3	Nut
4	TP13.4	Bolt
5	TP13.5	Cradle Assembly
6	TP13.6	Washer
7	TP13.7	Handle Grip
8	TP13.8	Nut
9	TP13.9	Wheel



Issue: 1
Date Issued: 090403

NOTE: It is our policy to continually improve products and as such we reserve the right to alter data, specifications and component parts without prior notice.

IMPORTANT: No liability is accepted for incorrect use of product.

WARRANTY: Guarantee is 12 months from purchase date, proof of which will be required for any claim.

INFORMATION: For a copy of our latest catalogue and promotions call us on 01284 757525 and leave your full name and address, including your postcode.