

Thank you for purchasing a Sealey product. Manufactured to a high standard this product will, if used according to these instructions and properly maintained, give you years of trouble free performance.

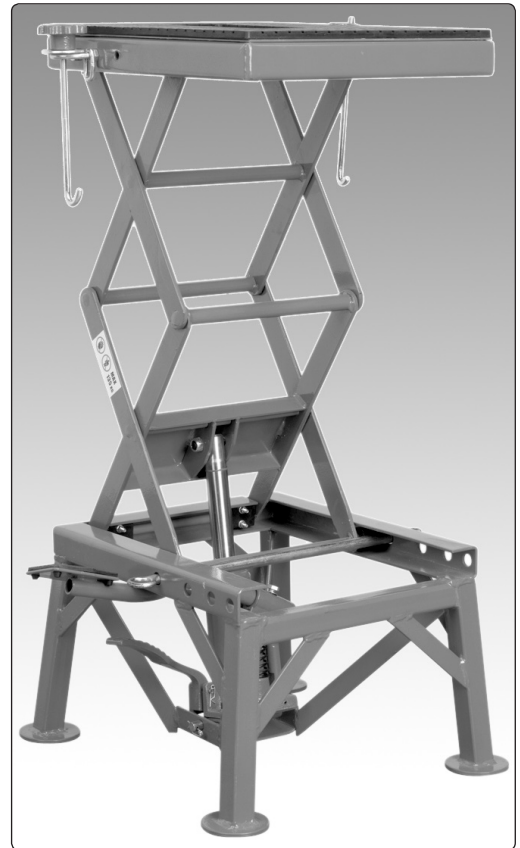


**IMPORTANT: PLEASE READ THESE INSTRUCTIONS CAREFULLY. NOTE THE SAFE OPERATIONAL REQUIREMENTS, WARNINGS & CAUTIONS. USE THE PRODUCT CORRECTLY AND WITH CARE FOR THE PURPOSE FOR WHICH IT IS INTENDED. FAILURE TO DO SO MAY CAUSE DAMAGE AND/OR PERSONAL INJURY AND WILL INVALIDATE THE WARRANTY. PLEASE KEEP INSTRUCTIONS SAFE FOR FUTURE USE.**

## 1. SAFETY INSTRUCTIONS

**WARNING! Do not use if the lift will foul on the exhaust or other vulnerable parts. Remove lower fairing or obstructing trims before use and ensure the bike is adequately strapped onto the lift before operating.**

- ✓ Maintain the lift in good condition (use an authorised service agent).
- ✓ Replace or repair damaged parts. *Use genuine parts only. Unauthorised parts may be dangerous and will invalidate the warranty.*
- ✓ Use a qualified person to lubricate and maintain the lift. **DO NOT** use brake fluid to top up hydraulic unit.
- ✓ Locate the lift in a suitable work area, keep area clean and tidy and free from unrelated materials, and ensure that there is adequate lighting. Also ensure that the floor is level and strong enough (preferably concrete) to take the weight of the lift and the bike. **DO NOT** operate the lift on tarmac/adam, as the surface may be unstable.
- ✓ Keep the lift clean for best and safest performance.
- ✓ The maximum bike weight is 135kg. **DO NOT** exceed this rated capacity.
- ✓ Remove ill fitting clothing. Remove ties, rings and other loose jewellery, and contain long hair.
- ✓ Maintain correct balance and footing, do not over-reach. Ensure the floor is not slippery and wear non-slip shoes.
- ✓ Ensure the bike is adequately secured to the lifting platform.
- ✓ Before lifting check that there are no overhead obstructions.
- ✓ When platform has been raised to the working height ensure the platform safety rod is engaged to prevent accidental lowering.
- ✓ Keep children and unauthorised persons away from the work area.
- ✓ The lowering speed will vary according to the weight of the load and the release valve setting.
- x **DO NOT** use the lift for a task it is not designed to perform.
- x **DO NOT** operate the lift if damaged.
- x **DO NOT** exceed the rated capacity of the lift.
- x **DO NOT** operate the lift when you are tired or under the influence of alcohol, drugs or intoxicating medication.
- x **DO NOT** allow untrained persons to operate the lift.
- x **DO NOT** make any modifications to the lift and **DO NOT** adjust or tamper with the safety valve.
- ✓ Before lowering the lift ensure that there are no obstructions underneath the platform and that all persons are standing clear.
- ✓ Before storing in safe area, ensure all parts are clean and free of grease and oil.
- ✓ Store lift in the lowest position and in a childproof location.



## 2. SPECIFICATION

All-steel scissor type construction with foot operation and integral hydraulic pump. Unique foot design and safety pins allow use with off-road bikes. Features four locking heights. Support platform with rubber top protects paintwork on bike.

### Specification

Capacity . . . . . 135kg  
 Minimum height . . . . . 355mm  
 Maximum height . . . . . 895mm

## 3. ASSEMBLY

### 3.1. Assembly

3.1.1. Insert lift pedal fig.1A into jack socket and secure using bolt fig.1B.

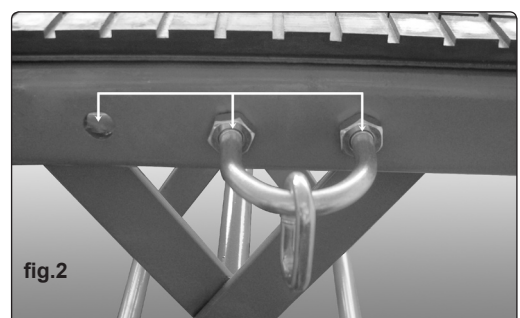
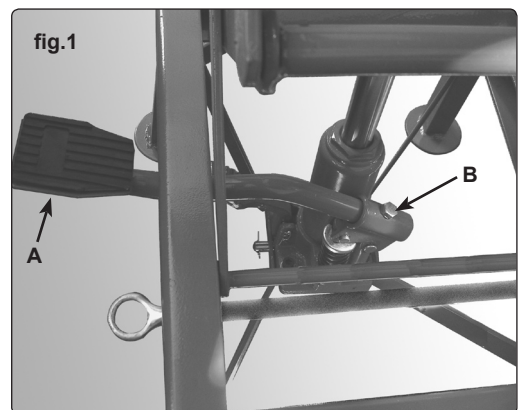
*NOTE! Lift shown in raised position for clarity. The pedal should be fitted with the lift in the lowered position.*

3.1.2. Fit the anchor point brackets x 2 to the platform as fig.2, ensure that you use four nuts per bracket, one either side of the platform. Choose one of the two available positions that will best align with the foot pegs of your off-road bike.

### 3.2. Before first use

3.2.1. Before using the lift, purge the hydraulic circuit, to eliminate any air in the system, by fully pressing the release valve pedal and pumping the lift pedal 15 to 20 times.

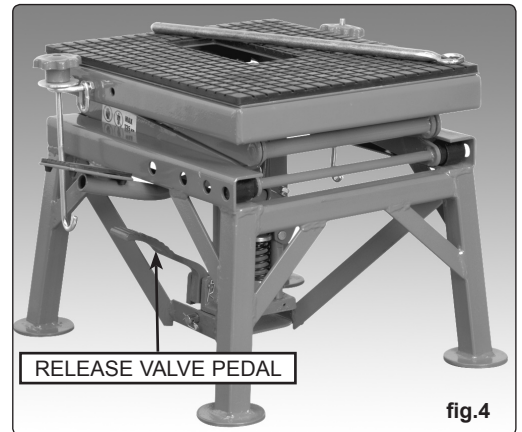
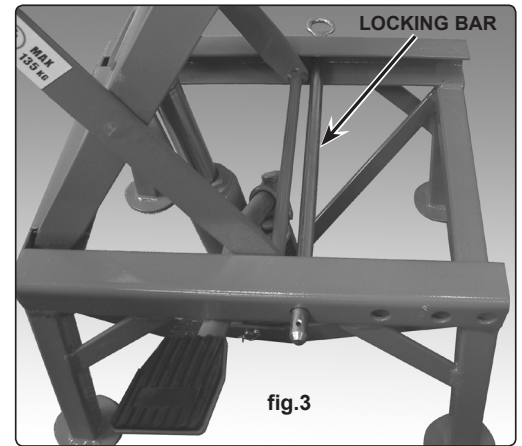
3.2.2. Test the lift, unladen, by raising it to full height and then lowering it. Depress release valve pedal slowly to control the rate of descent.



## 4. OPERATING INSTRUCTIONS

- ❑ **WARNING!** Ensure you read, understand and apply the safety instructions before use.
- ❑ **WARNING!** Before use, ensure the motorcycle to be lifted has a suitable structure and centre of gravity to accommodate the lift platform without damaging the bike.  
**DO NOT** use if the lift will foul on the exhaust or other vulnerable parts. Remove any lower fairing and ensure the bike is adequately secured to the lift before operating.

- 4.1. Position the lift in a suitable area, checking that the surface on which the lift will stand is solid and flat (preferably concrete).
- 4.2. Wheel bike over the lift so that the centre of gravity of the bike is over the platform, which must fit snugly against the underside of the bike.
- 4.3. By depressing the lift pedal, raise the platform up to the underside of the bike.
- 4.4. Secure the bike to the platform using the adjustable 'J hooks' hooked into the footpegs and secured to the anchor points on the platform. Ensure that the bike will not move once the lift is in operation. Should it not be possible to secure the bike with the 'J hooks' use suitable strap(s) to secure the bike to the platform.
- 4.5. Pump the lift pedal to raise the load.
- 4.6. When the lift is raised to the desired position insert the locking bar into the holes on the frame (fig.3) so that the lift cannot be inadvertently lowered. There are four possible positions in which to lock the lift; 490, 660, 780, & 895mm.
- 4.7. When work is complete, check under the lift to ensure that there are no obstructions and that it is safe to lower the unit. Remove the safety bar from the frame and then **SLOWLY** press the release valve pedal (fig.4) to **GENTLY** lower the lift.  
**IMPORTANT:** Speed of lowering is controlled by the release valve pedal. The more the pedal is depressed the quicker the lift descends. Ensure the descent is slow and controlled.
- 4.8. When the lift is fully lowered, ensure the bike is supported before removing the 'J hooks', and remove the bike from the lift.



## 5. MAINTENANCE

- 5.1. When the lift is not in use, it must be stored in the lowest position to minimise ram and piston corrosion.
  - 5.2. Keep the lift clean and wipe off any oil or grease. Lubricate all moving parts with acid free oil.
  - 5.3. Before each use check all parts. If any part of the lift is damaged or suspect remove lift from service and take necessary action to repair.  
**DO NOT** use the lift if it is believed to have been subjected to abnormal load or shock. Inspect and take appropriate action.
  - 5.4. Periodically check the ram and piston for signs of corrosion. Clean exposed areas with a clean oiled cloth.
  - 5.5. The hydraulic oil level is checked as follows:
    - 1) Position the fully lowered lift on a level surface.
    - 2) Remove filler plug. Correct oil level is to filler hole - add hydraulic oil as necessary.
- ❑ **WARNING!** Only a good quality hydraulic oil, such as **SEALEY HYDRAULIC OIL**, must be used. **DO NOT** use brake fluid.
  - \* **IMPORTANT:** Only fully qualified personnel should attempt maintenance or repair. Contact your authorised dealer.

### **IMPORTANT: NO RESPONSIBILITY IS ACCEPTED FOR INCORRECT USE OF THE LIFT.**

Hydraulic products are only repaired by local service agents. We have service/repair agents in all parts of the UK.

**DO NOT RETURN THE PRODUCT TO US.** Please telephone us on 01284 757500 to obtain the address and phone number of your local agent. If product is under guarantee please contact your dealer.

### **De-commissioning product**

Should the lift become completely unserviceable, draw off the oil into an approved container and dispose of the lift and the oil according to local regulations.

**NOTE:** It is our policy to continually improve products and as such we reserve the right to alter data, specifications and component parts without prior notice.

**IMPORTANT:** No liability is accepted for incorrect use of this product.

**WARRANTY:** Guarantee is 12 months from purchase date, proof of which will be required for any claim.

**INFORMATION:** For a copy of our latest catalogue and promotions call us on 01284 757525 and leave your full name and address, including postcode.



Sole UK Distributor, Sealey Group,  
Kempson Way, Suffolk Business Park,  
Bury St. Edmunds, Suffolk,  
IP32 7AR



01284 757500



www.sealey.co.uk



01284 703534



sales@sealey.co.uk