




INSTRUCTIONS FOR:  
**OIL DISPENSING PUMP  
 STATION AIR OPERATED**  
 Model No: **AK4560D**

Thank you for purchasing a Sealey product. Manufactured to a high standard this product will give you years of trouble free performance if these instructions are carefully followed and the product is correctly maintained.

 **IMPORTANT: PLEASE READ THESE INSTRUCTIONS CAREFULLY. NOTE THE SAFE OPERATIONAL REQUIREMENTS, WARNINGS AND CAUTIONS. USE THIS PRODUCT CORRECTLY AND WITH CARE FOR THE PURPOSE FOR WHICH IT IS INTENDED. FAILURE TO DO SO MAY CAUSE DAMAGE OR PERSONAL INJURY AND WILL INVALIDATE THE WARRANTY. PLEASE RETAIN THESE INSTRUCTIONS FOR FUTURE USE.**

**1. SAFETY INSTRUCTIONS**

- p **WARNING!** Ensure health & safety, local authority, and general workshop practice regulations are strictly adhered to when using this equipment.
- 3 Familiarise yourself with product application and limitations, as well as the specific potential hazards peculiar to this product.
- 3 Maintain the pump station in good condition (use an authorised service agent).
- 3 Replace or repair damaged parts. *Use genuine parts only. Non authorised parts will invalidate the warranty.*
- 3 Use only to pump lubricants up to SAE 150 viscosity and antifreeze liquids.
- 3 Ensure safety eye protection, oil resistant gloves and protective clothing are worn when using this product.
- 3 Keep the work area clean, uncluttered and ensure there is adequate lighting.
- 3 Maintain correct balance and footing. Ensure the floor is not slippery and wear non slip shoes.
- 3 Keep children and unauthorised persons away from the working area.
- 3 After use, drain any fluids from the equipment before storage.
- 3 Dispose of waste liquids in accordance with local authority regulations.
- 3 Disconnect air pressure from equipment when not in use.
- 7 **DO NOT** exceed the maximum air pressure of 115psi.
- 7 **DO NOT** point the nozzle at people or animals.
- 7 **DO NOT** use the equipment near open flames.
- 7 **DO NOT** smoke whilst using this equipment.
- 7 **DO NOT** use to extract corrosive fluids.
- 7 **DO NOT** dismantle, tamper with or adapt the pump for any purpose other than for which it is designed.
- 7 **DO NOT** use the unit if it has been dropped or mishandled, check the unit to ensure there is no damage.
- 3 Keep the pump clean and store in a safe dry, childproof location.
- p **WARNING! DO NOT** allow uncontrolled discharge of fluids thus polluting the environment.  
*All liquids must be disposed of according to local authority regulations.*

**2. INTRODUCTION**

Air operated 3:1 double acting pump for barrel or tanks with 2”BSP fittings. Pump is supplied with air management system and connected to a 940mm rigid suction probe with non-return valve. Features hose for attachment to digital oil meter or to optional retractable hose reel. Suitable for use with engine, hydraulic, synthetic, gear and transmission oils up to SAE150.

Model:	AK4560D
Pump Ratio:	3:1
Maximum Flow Rate:	12ltr/min
Maximum Viscosity:	150SAE
Maximum Output Pressure:	350psi
Maximum Air Pressure:	115psi
Recommended Air Pressure:	70psi
Outlet:	1/2”BSP

Digital Hose End Meter	
Model:	AK4565D
Accuracy:	+/- 0.5%
Inlet:	1/2”BSP
Battery:	Lithium CR2 3V 1400mAH



### 3. ASSEMBLY

#### 3.2 Pump and Air Regulator/Lubricator Assembly

3.2.1 Apply a small amount of liquid thread sealant onto the threads of the air inlet of the pump and attach the air regulator/lubricator (fig.1).

p **WARNING! DO NOT** allow thread sealant to enter the pump.

3.2.2 Attach the outlet pipe to the male outlet thread on the pump and attach the male threaded end of the pipe to the Digital Hose End Meter.

3.2.3 Attach the nozzle valve pipe assembly to the outlet of the Digital Hose End Meter.

p **WARNING! DO NOT** overtighten the swivel connections.

3.2.4 Slide the locking nut, locking ring and the barrel nut onto the pick up probe of the pump (fig.2), screw the locking nut onto the barrel nut to lock the assembly to the pick up probe.

3.2.5 Insert the pump assembly into the support brackets on the trolley and hang the meter onto the accessory support bracket.

#### 3.3 Pre-Operation

3.3.1 Lift up the knob (fig.1A) on the air regulator and ensure that the knob is wound fully anti-clockwise.

3.3.2 Remove the filler plug (fig.1B) from the lubricator and fill the lubricator with a quality air tool oil (Sealey ATO1000S), refit the filler plug.

3.3.3 The lubricator feed is set when the unit is running, adjust the feed knob (fig.1C) the drip rate can be seen through the sight glass of the dome. The rate of oil feed will automatically increase or decrease inline with the air flow.

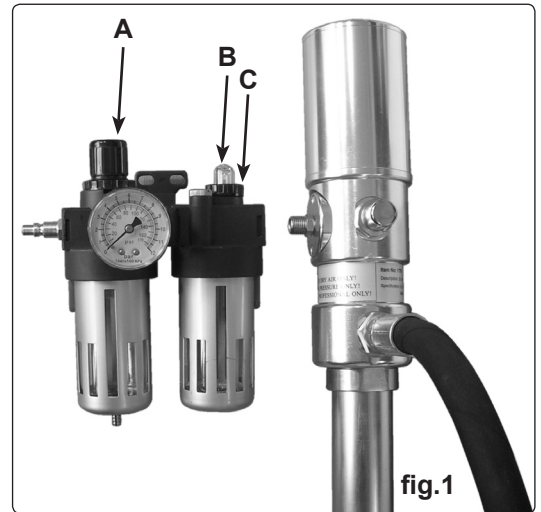


fig.1

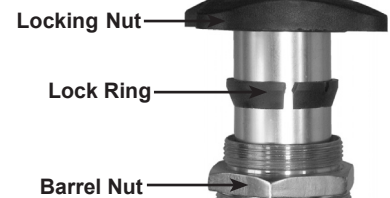


fig.2

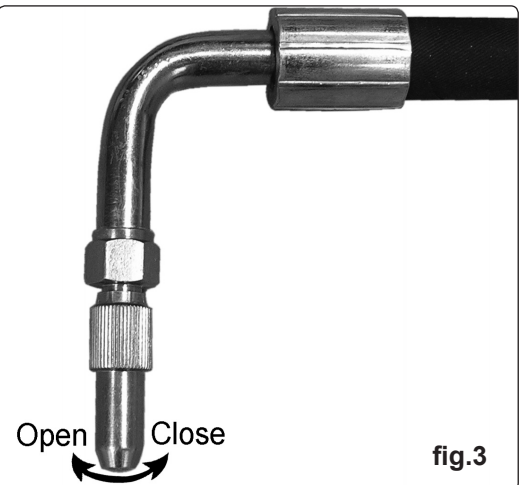


fig.3

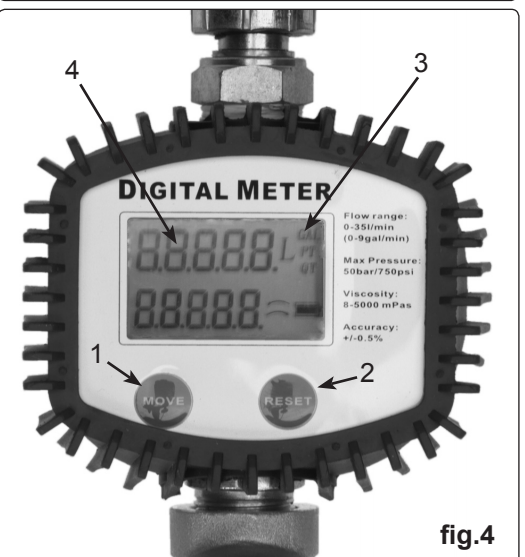


fig.4

### 4. OPERATION

#### 4.1 Installing the pump

4.1.1 Remove the bung from the 2"BSP opening of the drum.

4.1.2 Slacken off the locking nut on the pump probe and insert the pump into the drum until the probe bottoms out, tighten the barrel nut and then tighten the locking nut to fix the pump to the drum.

#### 4.2 Setting up the pump

4.2.1 Ensure that the air regulator valve is fully wound anti-clockwise and then connect the air supply onto the quick release connector on the air regulator.

4.2.2 Lift the knob on the regulator and slowly turn clockwise until the recommended operating pressure of 70psi is reached, push down on the regulator knob to lock the position.

**Note:** Check the system for leaks, should an air leak be discovered, release the pressure, disconnect the air line and repair/replace the joint or seal before continuing.

#### 4.3 Operating the gun

p **WARNING!** Ensure that the trigger is not depressed before opening the nozzle valve.

4.3.1 Press the Reset button for 1 sec to zero the display.

4.3.2 With the nozzle pointing into the receiving container, open the nozzle valve as shown in fig.3.

4.3.3 Depress the trigger and dispense the liquid, the amount dispensed is shown on the display (fig.4.4).

4.3.4 Release trigger and close the nozzle valve.

#### 4.4 Determining the Correction Factor

4.4.1 Dispense at least 1 litre of liquid into a calibrated container.

4.4.2 Record the quantity of liquid in the container and record the quantity of liquid dispensed as indicated on the meter display. Press the Move + Reset buttons (fig.4.1 and fig.4.2) simultaneously to display the current correction factor.

$$\frac{\text{Qty Dispensed}}{\text{Qty Indicated}} \times \text{Current Correction Factor} = \text{New Correction Factor.}$$

#### 4.5 Programming the Correction Factor

4.5.1 Remove the rubber protective cover from the meter and unscrew the four phillips screws (fig.5) holding the digital meter, remove from the gun.

4.5.2 Press button "2" on the rear of the meter (fig.6.2) for 1 sec to enter the Correction Factor mode.

4.5.3 Press the Move button to select the digit to be changed, each press of the Move button will select the next digit.

4.5.4 Press the Reset button to add 1 on the digit, press as many times as required until the correct number is reached.

4.5.5 Press "2" for 1 sec to quit the Correction Factor mode.

4.5.6 Press the Move + Reset buttons simultaneously to display the new correction factor.

#### 4.6 Changing the Units

**Note:** The meter is pre-set to display litres.

- 4.6.1 Press button "2" on the rear of the meter for 1 sec to enter the Correction Factor mode.
- 4.6.2 Press the Move button five times to select the units (fig.4.3).
- 4.6.3 Press the Reset button to scroll through the Units (L/Gal/PT/QT), select the Unit required.
- 4.6.4 Press "2" for 1 sec to quit the Correction Factor mode.

### 5. MAINTENANCE

#### 5.1 Changing the Digital Meter Battery

- 5.1.1 Remove the rubber protective cover from the meter.
- 5.1.2 Remove the screw and cover from the side of the meter.
- 5.1.3 Remove and replace battery (fig.7).
- 5.1.4 Replace cover and secure with screw.
- 5.1.5 Replace the protective rubber cover.

**Note:** If the LCD display does not activate, remove the meter as in section 4.5.1, press button 1 (fig.6.1) to reboot the meter.

**5.2** Before every use visually check the supply hose for damage and check all joints for leaks, any damaged component must be replaced or leaks repaired before using.

**5.3** Check the nozzle valve for leaks, if it does not seal, replace before using.

**5.4** Drain air regulator water trap daily.

**5.5** Top up lubricator as required, using a quality air tool oil.

**5.6** To change the silencer, remove the circlip (fig.8) and remove the old silencer, place a new silencer into the recess and refit the circlip.

**Note:** For any other maintenance and repairs the unit should be returned to your Sealey dealer.

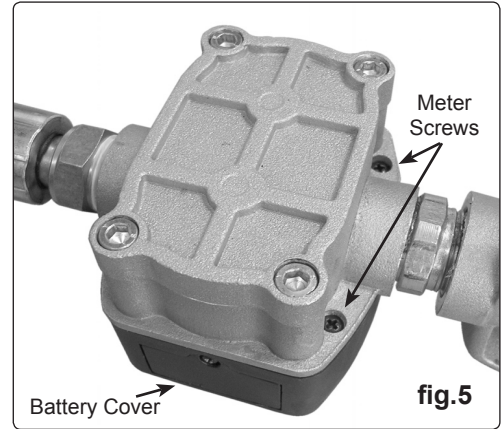


fig.5

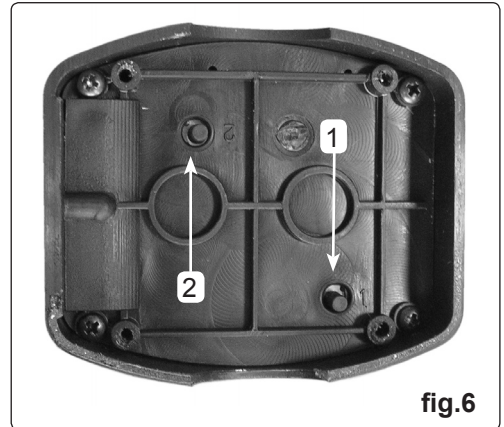


fig.6



fig.7

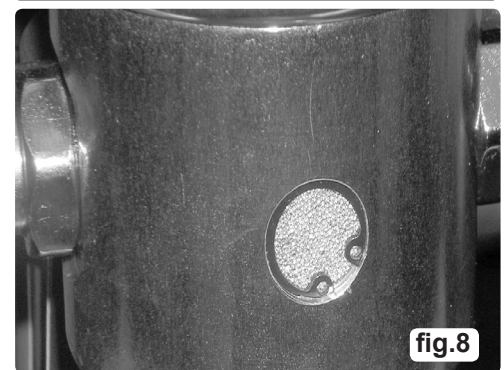


fig.8

### 6. DECLARATION OF CONFORMITY

**Declaration of Conformity** We, the sole importer into the UK, declare that the product listed below is in conformity with the following standards and directives

**Oil Dispensing Pump Station  
Air Operated**  
Model: AK4560D  
2002/95/EC RoHS Directive  
2002/96/EEC WEEE Directive

Signed by Steve Buckle



5th November 2008

For Jack Sealey Ltd. Sole importer into the UK of Sealey Power Products.

The construction file for this product is held by the Manufacturer and may be inspected on request by contacting Jack Sealey Ltd.

**NOTE:** It is our policy to continually improve products and as such we reserve the right to alter data, specifications and component parts without prior notice.

**IMPORTANT:** No liability is accepted for incorrect use of product.

**WARRANTY:** Guarantee is 12 months from purchase date, proof of which will be required for any claim.

**INFORMATION:** Call us for a copy of our latest catalogue on 01284 757525 and leave your full name and address including your postcode.



Sole U.K. Distributor  
Sealey Group  
Bury St. Edmunds  
Suffolk.



01284 757500

01284 703534



www.sealey.co.uk



sales@sealey.co.uk

AK4560D

Issue No: 1 - 05/11/08