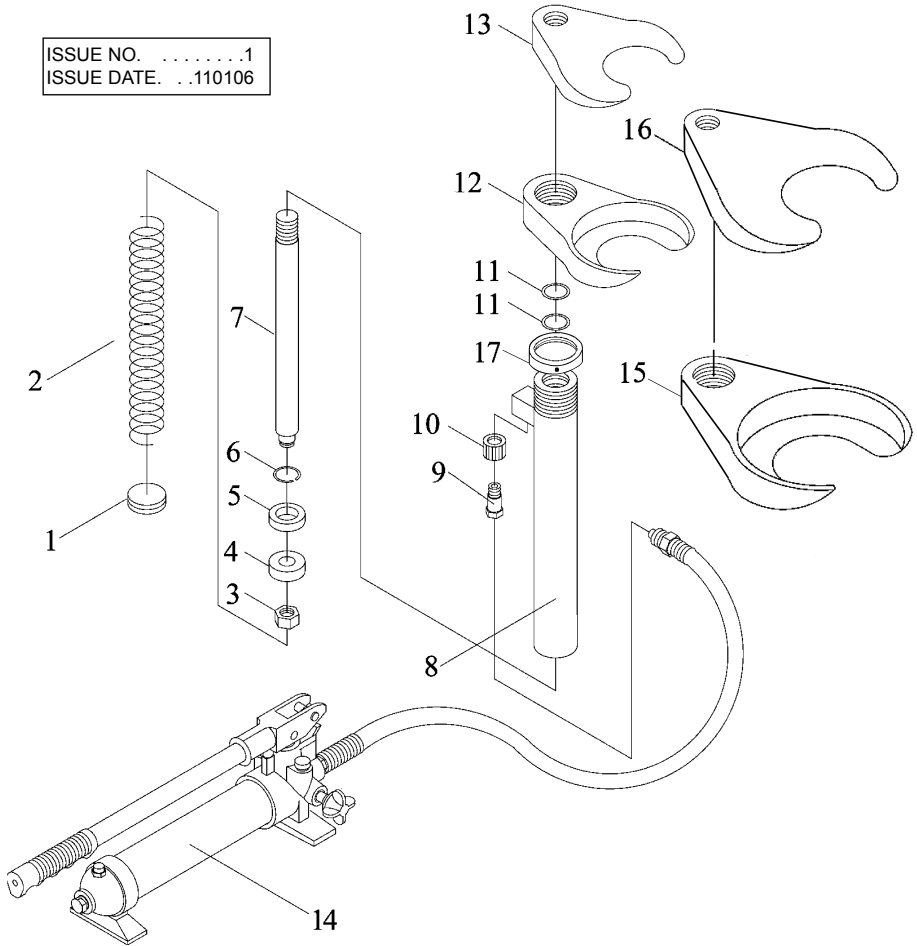


ISSUE NO.1
 ISSUE DATE. .110106



ITEM	PART NO.	DESCRIPTION
1	VS7011.V3-01	SCREW
2	VS7011.V3-02	SPRING
3	VS7011.V3-03	NUT
4	VS7011.V3-04	BUSHING
5	VS7011.V3-05	SEALING RING
6	VS7011.V3-06	RETAINING RING
7	VS7011.V3-07	PISTON ROD
8	VS7011.V3-08	CYLINDER
9	VS7011.V3-09	CYLINDER SCREW

ITEM	PART NO.	DESCRIPTION
10	VS7011.V3-10	CONNECTION NUT
11	VS7011.V3-11	O-RING
12	VS7011.V3-12	COIL BRACKET (small)
13	VS7011.V3-13	COIL BRACKET (small)
14	VS7011.V3-14	HAND PUMP
15	VS7011.V3-15	COIL BRACKET (big)
16	VS7011.V3-16	COIL BRACKET (big)
17	VS7011.V3-17	LOCKING RING