



Instructions For:
CROSS BEAM ADAPTOR 2 TON
Model: **X136**

Thank you for purchasing a Sealey Product. Manufactured to a high standard this product will, if used according to these instructions and properly maintained, give you years of trouble free performance.

⚠ IMPORTANT: PLEASE READ THESE INSTRUCTIONS CAREFULLY. NOTE THE SAFE OPERATIONAL REQUIREMENTS, WARNINGS AND CAUTIONS. USE THIS PRODUCT CORRECTLY AND WITH CARE FOR THE PURPOSE FOR WHICH IT IS INTENDED. FAILURE TO DO SO MAY CAUSE DAMAGE AND/OR PERSONAL INJURY, AND WILL INVALIDATE THE WARRANTY. PLEASE KEEP INSTRUCTIONS SAFE FOR FUTURE USE.

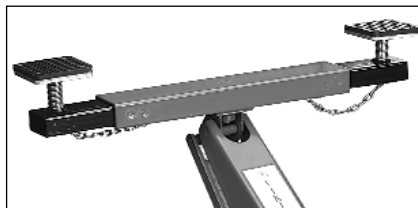
1. SAFETY PRECAUTIONS

- ✓ Refer to the Safety Precautions supplied with the jack.
- ✓ Ensure that the cross beam adaptor is in good working order. Take action for immediate repair or replacement of damaged parts. *Use genuine parts only. The use of unauthorised parts may be dangerous and will invalidate the warranty.*
- ✓ Keep work area clean and tidy and free from unrelated materials.
- ✓ Ensure the vehicle handbrake is engaged, engine/motor is switched off and transmission is in 1st or reverse gear.
- ✓ Ensure minimum distance of 0.5m between vehicle and static objects such as doors, walls, etc., to allow for vehicle tilting.
- ✓ Only place the cross beam adaptor under those lifting points recommended by the vehicle manufacturer (*see vehicle handbook*).
- ✓ Ensure there are no passengers in the vehicle.
- ✓ Ensure all non-essential persons keep a safe distance whilst the the cross beam adaptor is in use.
- ❑ **DANGER:** Use the the cross beam adaptor for lifting only, **NOT** for supporting the lifted load.
- ✓ Use suitable capacity axle stands under the vehicle before proceeding with any task.
- ✓ Ensure there are no persons or obstructions beneath the vehicle before lowering.
- x **DO NOT** allow untrained persons to operate the cross beam adaptor.
- x **DO NOT** exceed the rated capacity of the cross beam adaptor.
- x **DO NOT** work under the vehicle until axle stands have been correctly positioned.
- x **DO NOT** use the cross beam adaptor for purposes other than that for which it is designed.
- x **DO NOT** jack vehicle if there is a risk of spillage of fuel, battery acid, or other dangerous substance.
- ✓ When not in use store the cross beam adaptor in a safe, dry, childproof area.
- ❑ **WARNING!** It is **very dangerous** to go under a vehicle which is supported by a jack **even if** additional supports are used. **DO NOT** go under a vehicle unless it is supported by adequately rated axle stands.
- ▲ **IMPORTANT!** Ensure that you can see the saddle and jacking point throughout the jacking operation in case there is any relative movement.

2. INTRODUCTION AND SPECIFICATION

Provides extra safety when locating awkward jacking points. Ideal for front wheel drive vehicles. Includes rubber covered saddles. For use with 2050CX, 2080CX, 3080CX, 3000CXD and 3030CXD jacks.

Maximum Width 820mm
Minimum Width 580mm
Screw Adjustment 75mm



Instructions For:
CROSS BEAM ADAPTOR 2 TON
Model: **X136**

Thank you for purchasing a Sealey Product. Manufactured to a high standard this product will, if used according to these instructions and properly maintained, give you years of trouble free performance.

⚠ IMPORTANT: PLEASE READ THESE INSTRUCTIONS CAREFULLY. NOTE THE SAFE OPERATIONAL REQUIREMENTS, WARNINGS AND CAUTIONS. USE THIS PRODUCT CORRECTLY AND WITH CARE FOR THE PURPOSE FOR WHICH IT IS INTENDED. FAILURE TO DO SO MAY CAUSE DAMAGE AND/OR PERSONAL INJURY, AND WILL INVALIDATE THE WARRANTY. PLEASE KEEP INSTRUCTIONS SAFE FOR FUTURE USE.

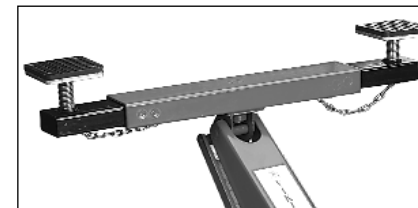
1. SAFETY PRECAUTIONS

- ✓ Refer to the Safety Precautions supplied with the jack.
- ✓ Ensure that the cross beam adaptor is in good working order. Take action for immediate repair or replacement of damaged parts. *Use genuine parts only. The use of unauthorised parts may be dangerous and will invalidate the warranty.*
- ✓ Keep work area clean and tidy and free from unrelated materials.
- ✓ Ensure the vehicle handbrake is engaged, engine/motor is switched off and transmission is in 1st or reverse gear.
- ✓ Ensure minimum distance of 0.5m between vehicle and static objects such as doors, walls, etc., to allow for vehicle tilting.
- ✓ Only place the cross beam adaptor under those lifting points recommended by the vehicle manufacturer (*see vehicle handbook*).
- ✓ Ensure there are no passengers in the vehicle.
- ✓ Ensure all non-essential persons keep a safe distance whilst the the cross beam adaptor is in use.
- ❑ **DANGER:** Use the the cross beam adaptor for lifting only, **NOT** for supporting the lifted load.
- ✓ Use suitable capacity axle stands under the vehicle before proceeding with any task.
- ✓ Ensure there are no persons or obstructions beneath the vehicle before lowering.
- x **DO NOT** allow untrained persons to operate the cross beam adaptor.
- x **DO NOT** exceed the rated capacity of the cross beam adaptor.
- x **DO NOT** work under the vehicle until axle stands have been correctly positioned.
- x **DO NOT** use the cross beam adaptor for purposes other than that for which it is designed.
- x **DO NOT** jack vehicle if there is a risk of spillage of fuel, battery acid, or other dangerous substance.
- ✓ When not in use store the cross beam adaptor in a safe, dry, childproof area.
- ❑ **WARNING!** It is **very dangerous** to go under a vehicle which is supported by a jack **even if** additional supports are used. **DO NOT** go under a vehicle unless it is supported by adequately rated axle stands.
- ▲ **IMPORTANT!** Ensure that you can see the saddle and jacking point throughout the jacking operation in case there is any relative movement.

2. INTRODUCTION AND SPECIFICATION

Provides extra safety when locating awkward jacking points. Ideal for front wheel drive vehicles. Includes rubber covered saddles. For use with 2050CX, 2080CX, 3080CX, 3000CXD and 3030CXD jacks.

Maximum Width 820mm
Minimum Width 580mm
Screw Adjustment 75mm



3. ASSEMBLY AND OPERATING INSTRUCTIONS

Note: Numbers shown in brackets refer to item numbers on the parts diagram.

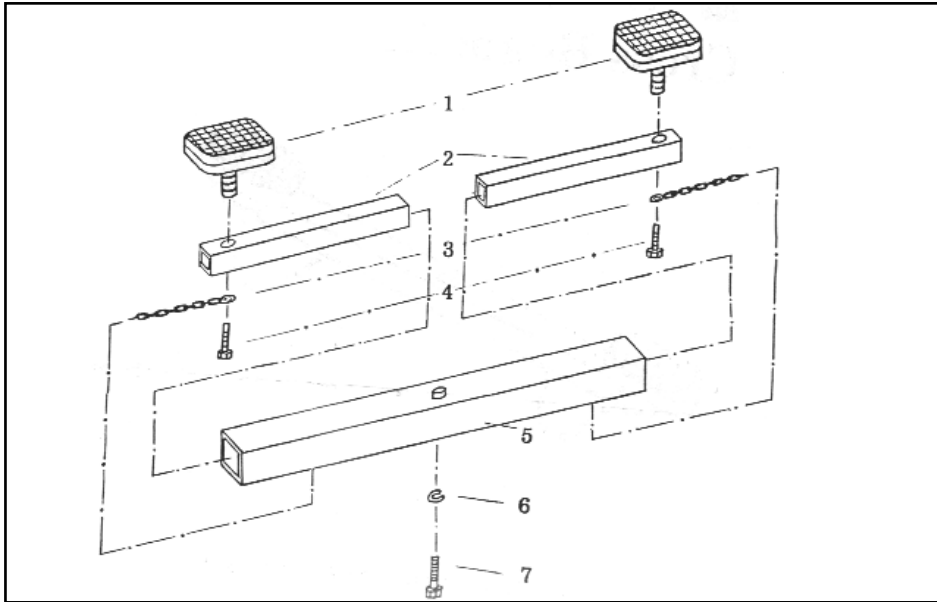
3.1. Assembly

- 3.1.1. Slide the expansion beams (2) into the ends of the fixed beam (5), ensuring the threaded holes protrude from the fixed beam.
- 3.1.2. Screw in the adaptors (1) and secure the chains (3) using the bolts (4).

3.2. Operating

- 3.2.1. Remove the saddle from the jack.
- 3.2.2. Fit the cross beam adaptor to the jack. Secure using the bolt (7) and washer (6). **Note: The securing bolt can only be used on models 2080CX and 3080CX.**
- 3.2.4. Adjust the position of the adaptors to ensure they are under the lifting points recommended by the vehicle manufacturer (see vehicle handbook), before commencing the jacking operation.

5. PARTS



Item	Description	Item	Description	Item	Description
1	Adaptor	4	Bolt	6	Washer
2	Expansion beam	5	Fixed beam	7	Bolt
3	Chain				

NOTE: It is our policy to continually improve products and as such we reserve the right to alter data, specifications and component parts without prior notice.

IMPORTANT: No liability is accepted for incorrect use of this equipment.

WARRANTY: Guarantee is 12 months from purchase date. proof of which will be required for any claim.

INFORMATION: For a copy of our latest catalogue and promotions, call us on 01284 757525 and leave your full name and address including your postcode.



Sole UK Distributor
Sealey Group, Bury St. Edmunds, Suffolk.

01284 757500



01284 703534

E-mail: sales@sealey.co.uk
Web: www.sealey.co.uk

X136 -1 - 300902

3. ASSEMBLY AND OPERATING INSTRUCTIONS

Note: Numbers shown in brackets refer to item numbers on the parts diagram.

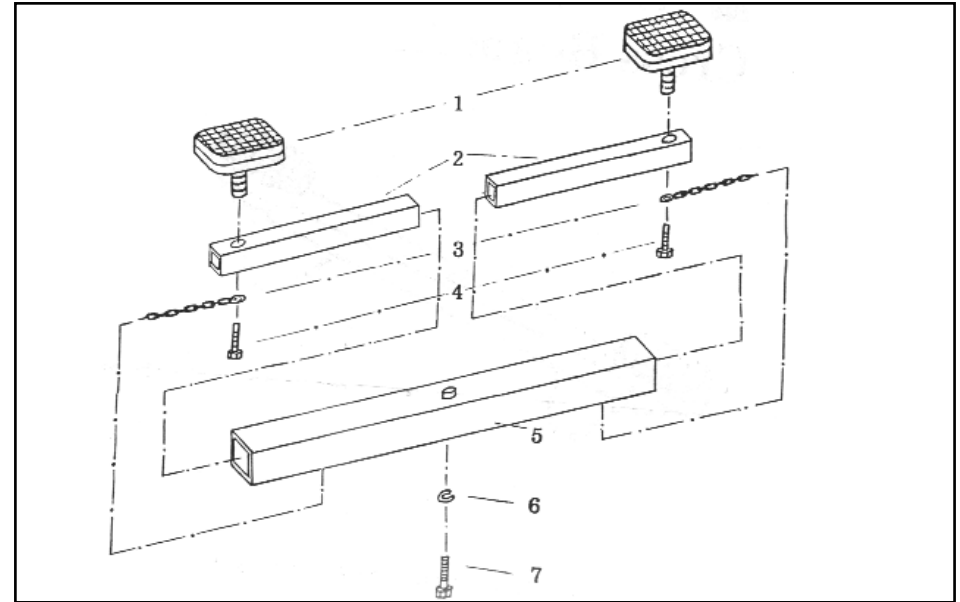
3.1. Assembly

- 3.1.1. Slide the expansion beams (2) into the ends of the fixed beam (5), ensuring the threaded holes protrude from the fixed beam.
- 3.1.2. Screw in the adaptors (1) and secure the chains (3) using the bolts (4).

3.2. Operating

- 3.2.1. Remove the saddle from the jack.
- 3.2.2. Fit the cross beam adaptor to the jack. Secure using the bolt (7) and washer (6). **Note: The securing bolt can only be used on models 2080CX and 3080CX.**
- 3.2.4. Adjust the position of the adaptors to ensure they are under the lifting points recommended by the vehicle manufacturer (see vehicle handbook), before commencing the jacking operation.

5. PARTS



Item	Description	Item	Description	Item	Description
1	Adaptor	4	Bolt	6	Washer
2	Expansion beam	5	Fixed beam	7	Bolt
3	Chain				

NOTE: It is our policy to continually improve products and as such we reserve the right to alter data, specifications and component parts without prior notice.

IMPORTANT: No liability is accepted for incorrect use of this equipment.

WARRANTY: Guarantee is 12 months from purchase date. proof of which will be required for any claim.

INFORMATION: For a copy of our latest catalogue and promotions, call us on 01284 757525 and leave your full name and address including your postcode.



Sole UK Distributor
Sealey Group, Bury St. Edmunds, Suffolk.

01284 757500



01284 703534

E-mail: sales@sealey.co.uk
Web: www.sealey.co.uk

X136 -1 - 300902